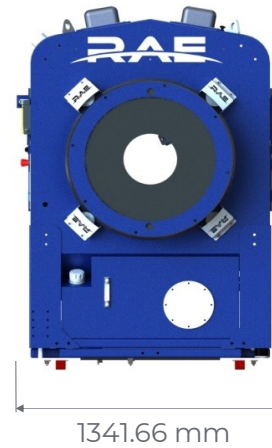
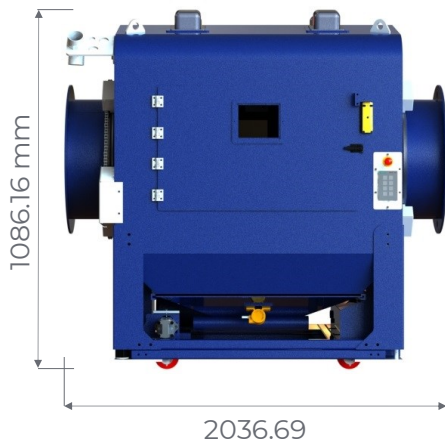


FULLY ENCLOSED BLAST CABINET



| | | |
|--------------------------|------------------------------|----------------------------|
| Weight | 2,150 lbs | 975 kg |
| Voltage | 400v– 480v 3~ | |
| Amps | 30 A | |
| Pipe Size Range | 2—22 in OD | 25.4—558.8 mm OD |
| Pipe Height Range | 43—59 in (centers) | 1096—1502 mm (centers) |
| Air Supply | 400 cfm at 116 psi (minimum) | 400 cfm at 8 bar (minimum) |